

In addition to the accessories and assembly parts listed in this catalogue, PAPST also supplies numerous special parts for fan operation.

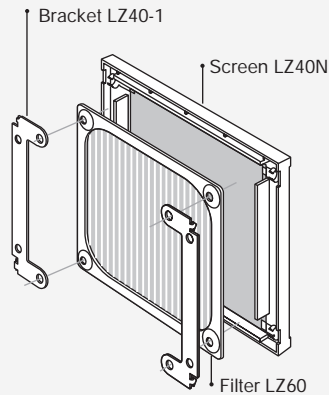
The sales experts at PAPST are only too willing to assist you in your enquiries concerning fan assembly and application.

ACCESSORIES

Accessories	Fan Series
LZ 212	8300
LZ 260	8300
LZ 261	8400
LZ 212	3300
LZ 260	3300
LZ 210	9000
LZ 40 N	9000
LZ 40-1	9000
LZ 60	9000
LZ 210	4000
LZ 40 N	4000
LZ 40-1	4000
LZ 60	4000
LZ 212	4300
LZ 260	4300
LZ 210	5100
LZ 210	5600
LZ 210	5200
LZ 210	5900
LZ 210	7000
LZ 370	VARIOFAN

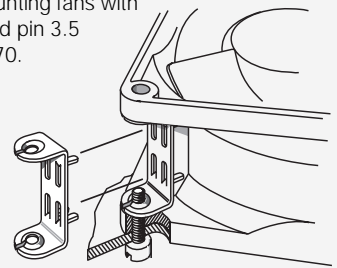
LZ 40 N / LZ 40-1 / LZ 60

LZ 40 N of black, fibre-glass reinforced plastic with inserted stainless steel wire mesh LZ 60. Mounting with brackets LZ 40-1



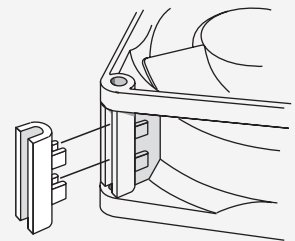
LZ 212

Screw clip of rust-resistant spring steel. For mounting fans with threaded pin 3.5 DIN 7970.



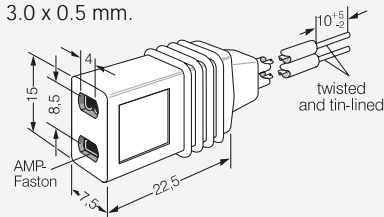
LZ 260 / LZ 261

Spacer of glass-fibre reinforced plastic. For screw mounting over both fan mounting flanges.



LZ 120

Connecting cable with moulded plug, (PVC, black). Stranded wires with multi-core cable ends. For all types of fan with flat pins 3.0 x 0.5 mm.



Type	Cable length	Pins
LZ120	610 mm	0,5 mm
LZ126	1000 mm	0,5 mm
LZ130-1	610 mm, UL approved	0,5 mm

Additional versions are available on special order

LZ 370

Thermistor for speed-controlled fan operation. Temperature range 30...50 °C.



Required performance date:

R ₂₅	= 100 KΩ ±5%
B-value	= 4190 ± 2%
P _{max}	= 0,25 W

LZ 210

Screw clip of hardened steel. For mounting fans with threaded pin 6-32 UNC and/or 3.5 DIN 7970.

