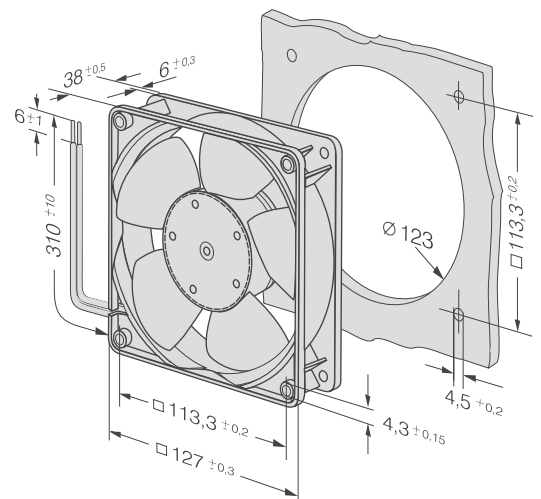
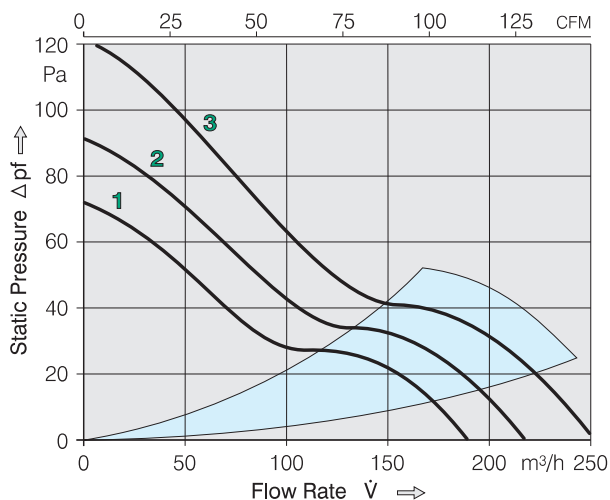


- DC fans with electronically commutated external rotor motors. Fully integrated commutation electronics.
- With electronic protection against reverse polarity, blocking and overloading.
- Fan of fibreglass reinforced plastic. PBTP housing, PA impeller.
- Air exhaust over struts. Rotational direction CCW looking at rotor.
- Electrical connection via 2 leads AWG 22, TR 64. Stripped and tinned ends
- Mass 310 g.

SERIES 5200

127x127x38 mm

Air flow		Nominal Voltage		Noise	Sinter-Sleeve Bearings Ball Bearings	Power Input	Nominal Speed	Temperature Range	Service Life L ₁₀		Curve	Type
m ³ /h	CFM	V DC	V DC						dB(A)	Watt		
187	110.1	12	7...14.5	43	5.3	●	4.6	2750	-30...+75	62500 / 27500	1	5212NM
216	127.1	12	7...14	46	5.6	●	6.0	3150	-30...+75	57500 / 25000	2	5212NN
252	148.3	12	7...14	51	6.0	●	9.8	3650	-30...+70	45000 / 22500	3	5212NH
187	110.1	24	12...28	43	5.3	●	4.6	2750	-30...+75	62500 / 27500	1	5214NM
216	127.1	24	12...28	46	5.6	●	6.0	3150	-30...+75	57500 / 25000	2	5214NN
252	148.3	24	12...28	51	6.0	●	9.8	3650	-30...+70	45000 / 22500	3	5214NH
187	110.1	48	36...56	43	5.3	●	4.6	2750	-30...+75	62500 / 27500	1	5218NM
216	127.1	48	36...56	46	5.6	●	6.0	3150	-30...+65	57500 / 32500	2	5218NN
252	148.3	48	36...53	51	6.0	●	9.8	3650	-30...+55	45000 / 22500	3	5218NH



new · new · new · new · new