

- AC fans with external rotor shaded-pole motor. Impedance protected against overloading.
- Impeller and mounting bracket of metal.
- Air exhaust over mounting bracket.
- Rotational direction CW looking at rotor.
- Electrical connection via 2 leads. Stripped and tinned ends.
- Mass 430 g.

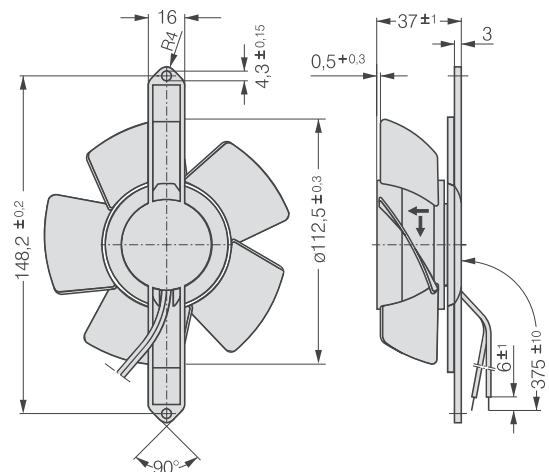
SERIES 4600 TA

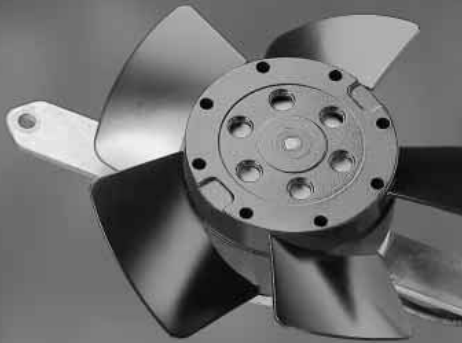
113Ø x 37 mm

Air flow		Nominal Voltage		Noise		Sinter-Sleeve Bearings Ball Bearings		Nominal Speed		Temperature Range		Service Life L ₁₀ at t _{max}		Curve	Type
m ³ /h	CFM	V	Hz	dB(A)	bels	○/●	Watt	min ⁻¹	°C	Hours	Hours				
138	81.2	230	50	41		○	19	2550	-10...+45	37500 / 32500		-	4650 TA		
138	81.2	230	50	42		●	19	2550	-40...+75	37500 / 17500		-	4656 TA		
147	86.5	115	60	43		○	18	2900	-10...+50	40000 / 32500		-	4600 TA		
147	86.5	115	60	44		●	18	2900	-40...+80	40000 / 17500		-	4606 TA		

The air flow and noise level of fans without external housing depends on the installation conditions. The stated air flow and noise has been measured with an orifice 109 mm Ø at a distance of approx. 17 mm from the mounting bracket. Under exceptionally favourable mounting conditions, the air flow of fan series 4600N is achievable. The noise in the optimal operating range can only be measured for these fans in specific application.

Fan Type		Lead Wires
4650 TA	4600 TA	AWG 22. TR 32
4656 TA	4606 TA	AWG 18





- AC fans with external rotor shaded-pole motor. Impedance protected against overloading.
- Impeller and mounting bracket of metal.
- Air exhaust over struts. Rotational direction CW looking at rotor.
- Electrical connection via 2 leads. Stripped and tinned ends.
- Mass 430 g.

SERIES 4600TZ

108Ø x 37mm

Air flow		Nominal Voltage	Frequency	Noise		Sinter-Sleeve Bearings	Ball Bearings	Power Input	Nominal Speed	Temperature Range	Service Life L ₁₀	at t _{max}	Curve	Type
m ³ /h	CFM	V	Hz	dB(A)	bels	○/●		Watt	min ⁻¹	°C	Hours	Hours		
125	73.6	230	50	42		○		19	2600	-10...+50	37500 / 37500		-	4650TZ
125	73.6	230	50	42		●		19	2600	-40...+65	37500 / 20000		-	4656TZ
140	82.4	115	60	45		○		18	2950	-10...+50	40000 / 32500		-	4600TZ
140	82.4	115	60	45		●		18	2950	-40...+75	40000 / 17500		-	4606TZ

The air flow and noise level of fans without external housing depends on the installation conditions. The stated air flow and noise has been measured with an orifice 109 mm Ø at a distance of approx. 17 mm from the mounting bracket. Under exceptionally favourable mounting conditions, the air flow of fan series 4000Z is achievable. The noise in the optimal operating range can only be measured for these fans in specific application.

Fan Type		Lead Wires
4650 TZ	4600 TZ	AWG 22. TR 32
4656 TZ	4606 TZ	AWG 18

